



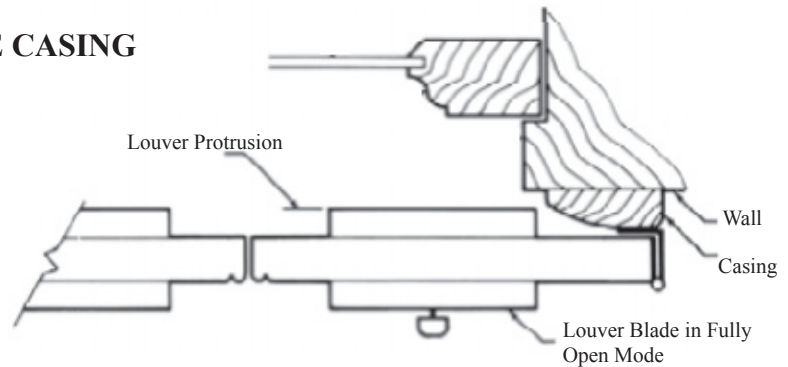
## Movable Slat Interior Shutter Installation Guide

### H1

#### PANELS INSTALLED ON THE FACE OF THE CASING

Louver blade protrusion may require consideration.

Protrusion: Shutterette 5/8"; Plantation: 2-1/2" = 1-1/8"; 3-1/2" = 1-5/8" 4-1/2" = 2-1/4"

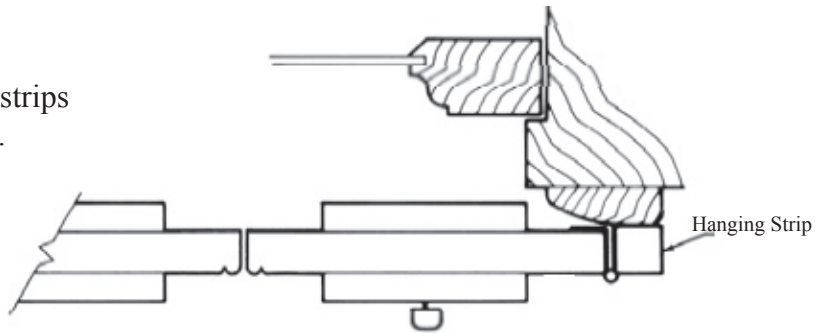


### H2

#### HANGING STRIPS BESIDE the PANELS and on the FACE of the CASING

Specify your casing width if it exceeds 2-3/8". The strips must be wider than 1" so louver blades clear casing.

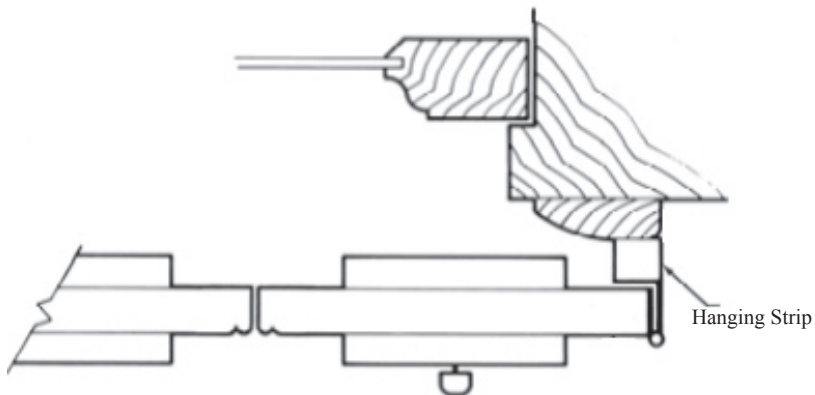
Strip Sizes	Panel Thickness
1"W x 3/4"T	3/4"
1"W x 1-1/8"T	1-1/8"



### H3

#### HANGING STRIPS BEHIND the PANELS and on the FACE of the CASING

Strip Sizes	Louver Size	Panel Thick
5/8"W x 5/8"T	1-1/4"	3/4"
3/4"W x 1-1/8"T	2-1/2"	"
3/4"W x 1-5/8"T	3-1/2"	"
3/4"W x 2-1/4"T	4-1/2"	"
1-1/8"W x 7/8"T	1-3/4"	1-1/8"
1-1/8"W x 1-1/4"T	2-1/2"	"
1-1/8"W x 1-3/4"T	3-1/2"	"
1-1/8"W x 2-3/8"T	4-1/2"	"

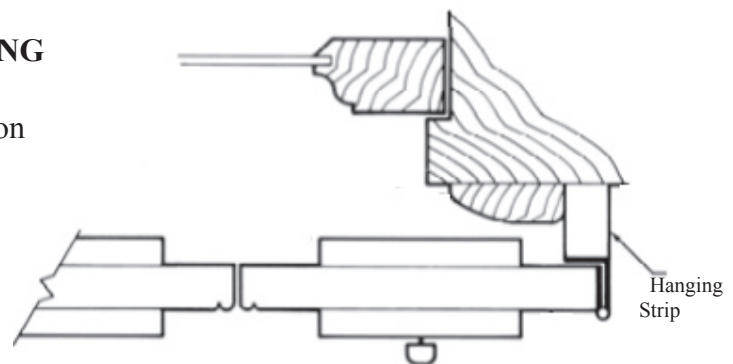


### H4

#### HANGING STRIPS on the WALL, BESIDE the CASING and BEHIND THE PANELS

Determine the strip depth by adding louver blade protrusion clearances to the window casing thickness. For 3/4" thick shutters, you will need a 3/4" wide strip. For 1-1/4" thick shutters, you will need a 1-1/8" wide strip.

Protrusion: Shutterette 5/8"; Plantation: 2-1/2" = 1-1/8"; 3-1/2" = 1-5/8" 4-1/2" = 2-1/4"





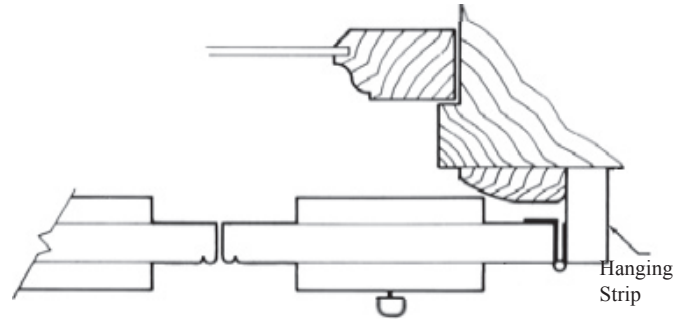
# B&B Wood Products inc.

26301 Richmond Road, Bedford Hts, OH 44146-1488

(216) 292-6555 / (800)-362-9138 / Fax (216) 292-6584; E-mail: sales@BBWOOD.com

## H5 HANGING STRIPS on the WALL, BESIDE the CASING & BEHIND THE PANELS

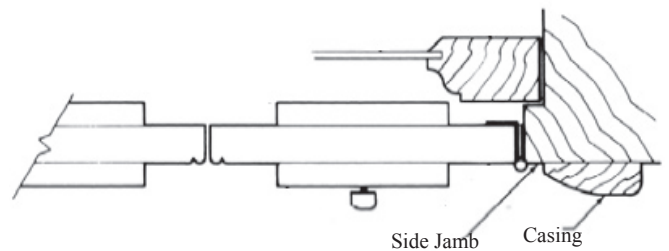
Determine the strip depth by adding casing thickness, panel thickness and louver blade protrusion clearances . For 3/4" thick shutters, you will need a 1" wide strip. For 1-1/8" thick shutters, you will need a 1-1/8" wide strip.



## H7 PANELS INSTALLED on the WOOD SIDE JAMB & WITHOUT HANGING STRIPS

Louver blade protrusion may require consideration.

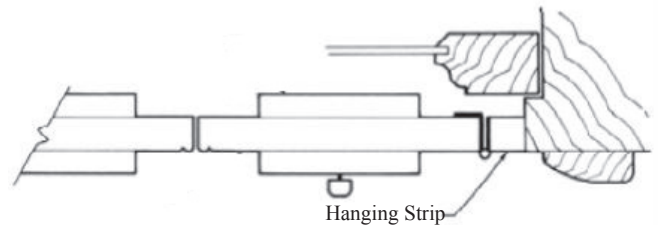
Protrusion: Shutterette 5/8"; Plantation: 2-1/2" = 1-1/8"; 3-1/2" = 1-5/8" 4-1/2" = 2-1/4"



## H8 HANGING STRIPS BESIDE THE PANELS

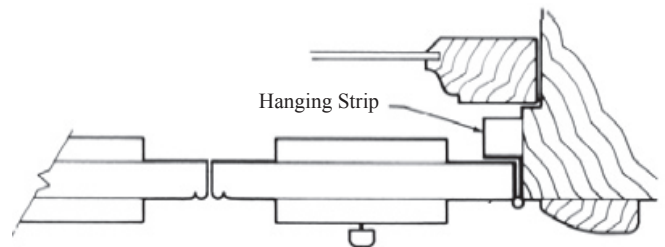
Remember to deduct from your width dimension to accommodate the strips. This type of installation may be used for plaster, metal and out of plumb openings. Louver blade protrusion may require consideration.

Strip Sizes	Panel Thickness
1"W x 3/4"T	3/4"
1"W x 1-1/8"T	1-1/8"



## H9 HANGING STRIPS BEHIND the PANELS

Strip Sizes	Louver Size	Panel Thick
5/8"W x 5/8"T	1-1/4"	3/4"
3/4"W x 1-1/8"T	2-1/2"	"
3/4"W x 1-5/8"T	3-1/2"	"
3/4"W x 2-1/4"T	4-1/2"	"
1-1/8"W x 7/8"T	1-3/4"	1-1/8"
1-1/8"W x 1-1/4"T	2-1/2"	"
1-1/8"W x 1-3/4"T	3-1/2"	"
1-1/8"W x 2-3/8"T	4-1/2"	"



## H11 HANGING STRIPS on the WALL, BESIDE the PANELS (for WINDOWS WITHOUT CASING)

Strip Sizes	Panel Thickness
1"W x 3/4"T	3/4"
1"W x 1-1/8"T	1-1/8"

